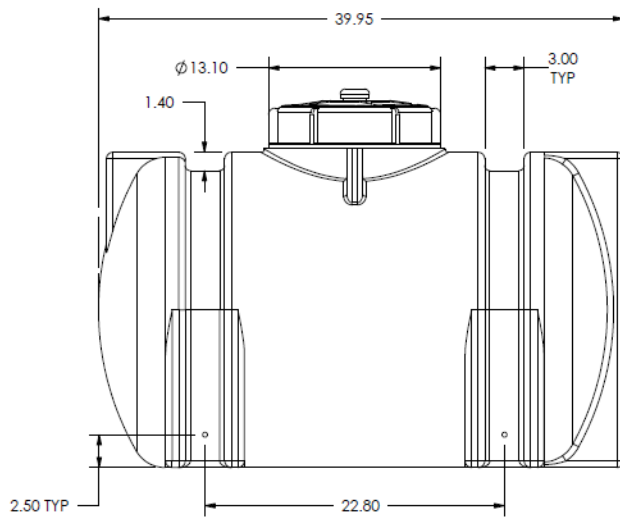
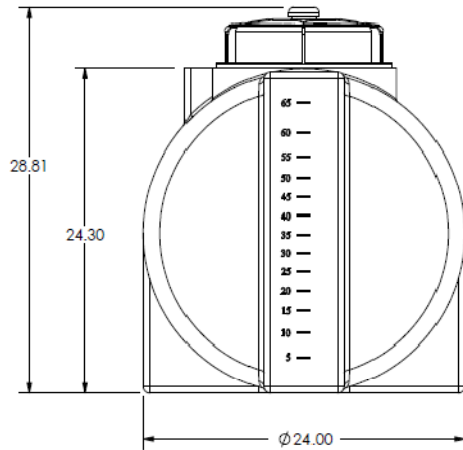


SHERMAN-TANK

Custom Molding - Design - Manufacturing - Fabrication



| 65 Gallons Horizontal Leg Tank | |
|--------------------------------|------------------|
| One Inch Increment | Volume (Gallons) |
| 0.0 | 0.0 |
| 1.0 | 1.2 |
| 2.0 | 3.3 |
| 3.0 | 5.7 |
| 4.0 | 8.4 |
| 5.0 | 11.3 |
| 6.0 | 14.4 |
| 7.0 | 17.7 |
| 8.0 | 21.1 |
| 9.0 | 24.5 |
| 10.0 | 28.1 |
| 11.0 | 31.7 |
| 12.0 | 35.3 |
| 13.0 | 38.9 |
| 14.0 | 42.5 |
| 15.0 | 46.0 |
| 16.0 | 49.4 |
| 17.0 | 52.7 |
| 18.0 | 55.8 |
| 19.0 | 58.7 |
| 20.0 | 61.4 |
| 21.0 | 63.7 |
| 22.0 | 65.6 |
| 23.0 | 67.0 |