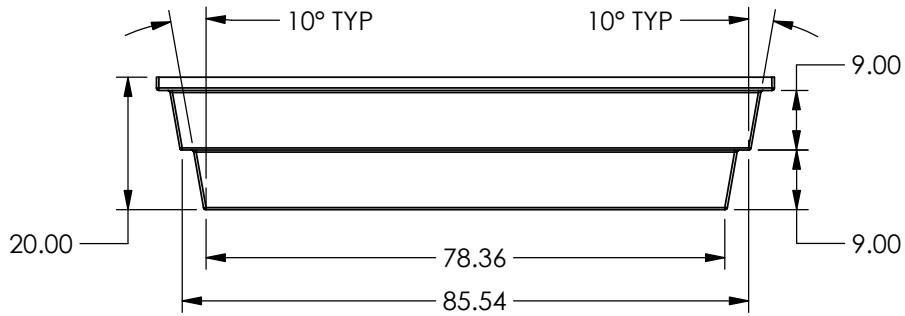
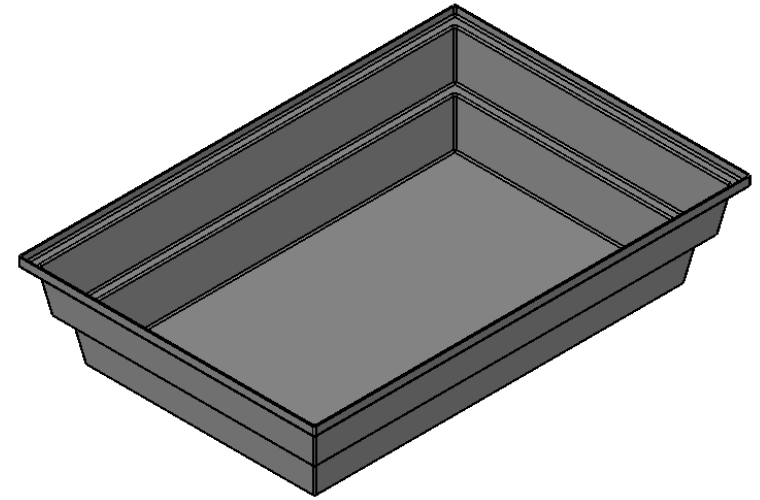
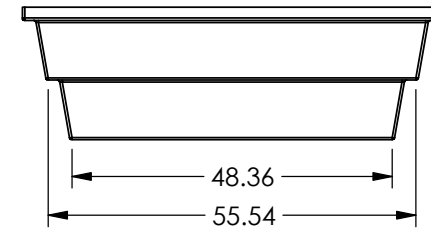


Top View



Side View



Side View

- Estimated Part Weight @ 0.30 Wall Thickness: 109 lbs
- Estimated Part Gallonage @ 0.30 Wall Thickness: 390 Gallons

PROPRIETARY AND CONFIDENTIAL THE INFORMATION CONTAINED IN THIS DRAWING IS THE SOLE PROPERTY OF SHERMAN TANK, LLC. ANY REPRODUCTION IN PART OR AS A WHOLE WITHOUT THE WRITTEN PERMISSION OF SHERMAN TANK, LLC IS PROHIBITED.	UNLESS OTHERWISE SPECIFIED: DIMENSIONS ARE IN INCHES TOLERANCES: FRACTIONAL ±1/32 ANGULAR: MACH ±30' BEND ±0 TWO PLACE DECIMAL ±0.06 THREE PLACE DECIMAL ±0.03	DRAWN	TN	07/31/13	SHERMAN ROTO TANK, LLC TITLE: 385 Gallon Containment Basin		
		CHECKED	DN	07/31/13			
		ENG APPR.	TN	07/31/13	SIZE: A	DWG. NO. T000-11	REV: 0
		MFG APPR.	JA	07/31/13	SCALE: 1:48	WEIGHT:	SHEET 1 OF 1
		Q.A.	TN	07/31/13			