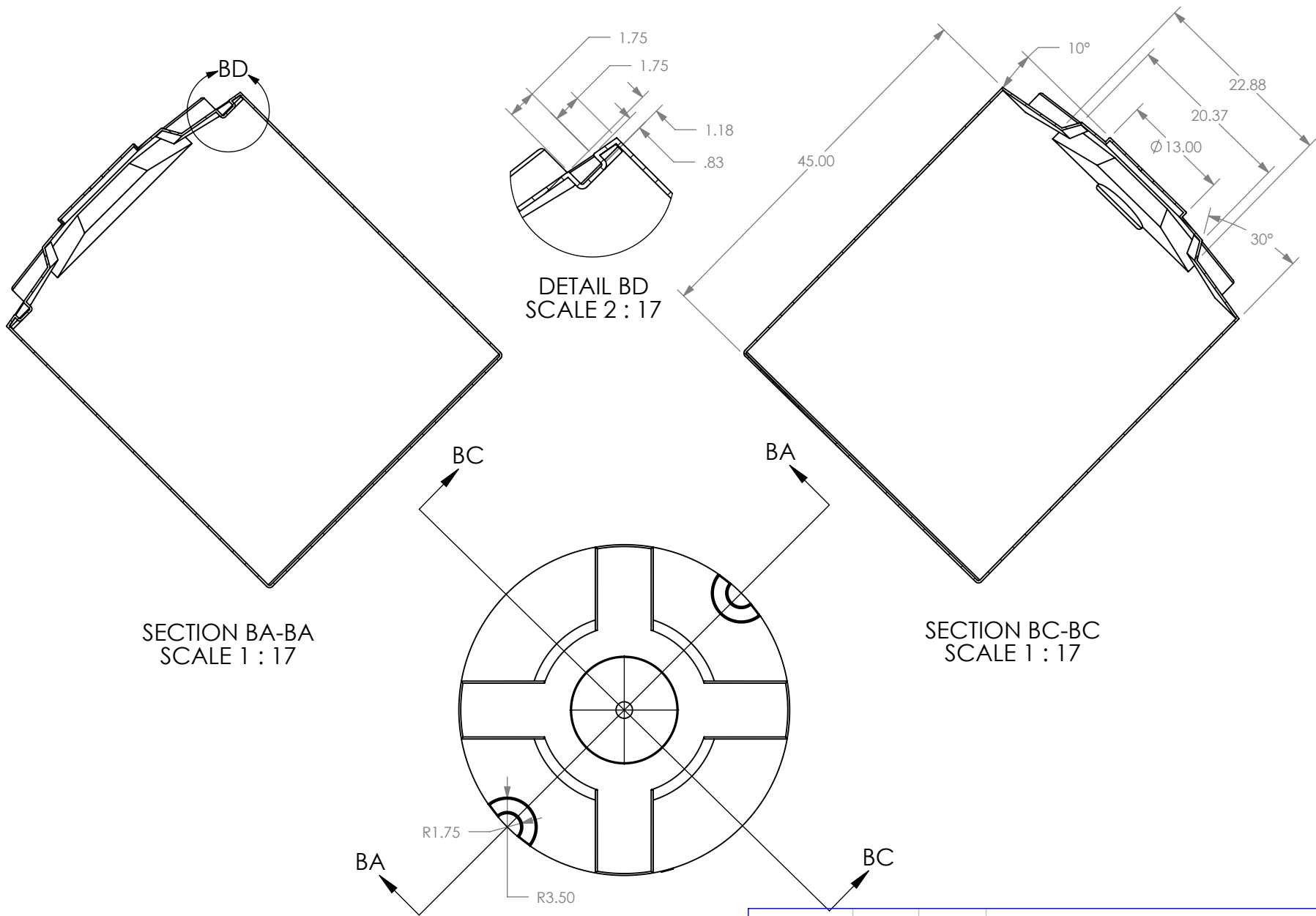


**PROPRIETARY AND CONFIDENTIAL**  
 THE INFORMATION CONTAINED IN THIS DRAWING IS THE SOLE PROPERTY OF SHERMAN ROTO TANK, LLC. ANY REPRODUCTION IN PART OR AS A WHOLE WITHOUT THE WRITTEN PERMISSION OF SHERMAN ROTO TANK, LLC IS PROHIBITED.

UNLESS OTHERWISE SPECIFIED:  
 DIMENSIONS ARE IN INCHES  
 TOLERANCES:  
 FRACTIONAL ±  
 ANGULAR: MACH ± BEND ±  
 TWO PLACE DECIMAL ±0.060  
 THREE PLACE DECIMAL ±0.030

	NAME	DATE	SHERMAN ROTO TANK, LLC		
DRAWN	TN	05/18/17	TITLE: 230 Gallons Vertical Tank		
CHECKED	DN	05/18/17			
ENG APPR.	TN	05/18/17	SIZE: <b>A</b>	DWG. NO. T000-74	REV: 0
MFG APPR.	WS	05/18/17	SCALE: 1:48	WEIGHT:	SHEET 1 OF 3
Q.A.	TN	05/18/17			



SECTION BA-BA  
SCALE 1 : 17

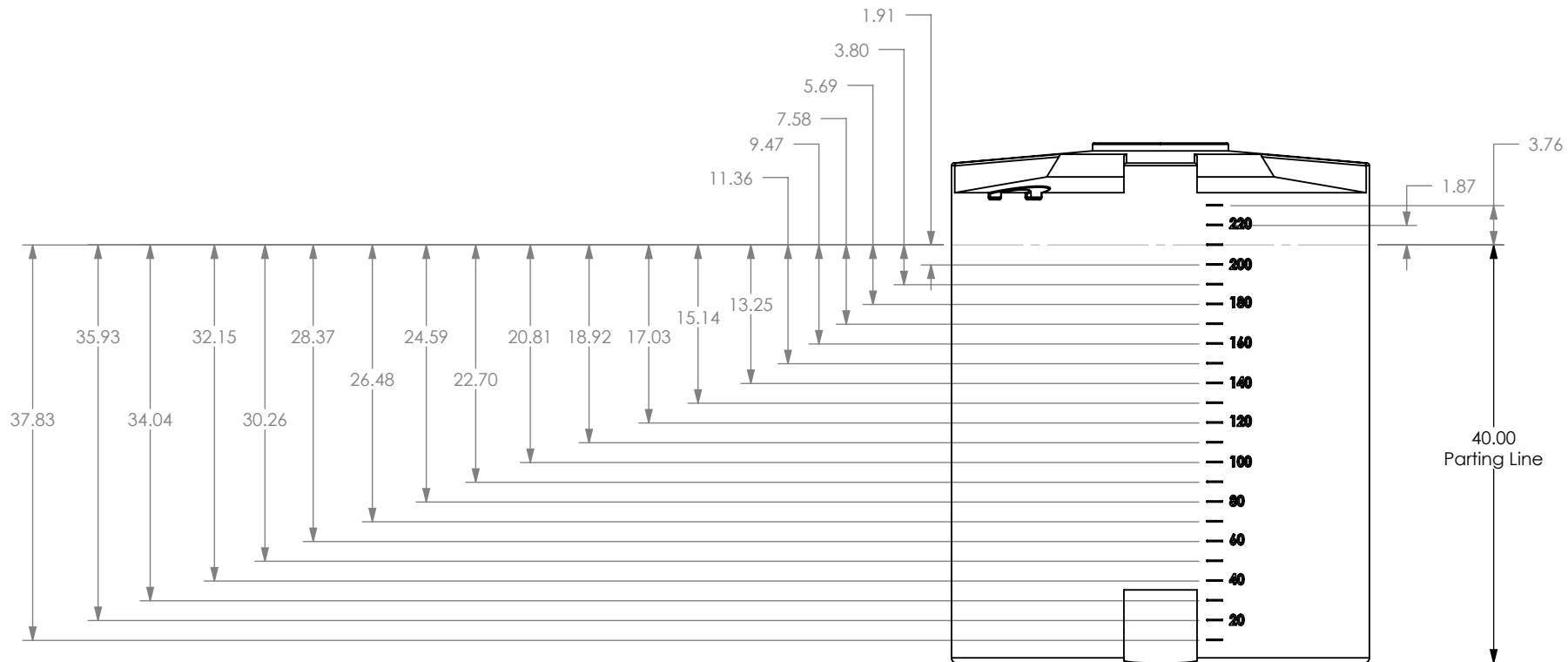
DETAIL BD  
SCALE 2 : 17

SECTION BC-BC  
SCALE 1 : 17

**PROPRIETARY AND CONFIDENTIAL**  
 THE INFORMATION CONTAINED IN THIS DRAWING IS THE SOLE PROPERTY OF SHERMAN ROTO TANK, LLC. ANY REPRODUCTION IN PART OR AS A WHOLE WITHOUT THE WRITTEN PERMISSION OF SHERMAN ROTO TANK, LLC IS PROHIBITED.

**UNLESS OTHERWISE SPECIFIED:**  
 DIMENSIONS ARE IN INCHES  
 TOLERANCES:  
 FRACTIONAL ±  
 ANGULAR: MACH ± BEND ±  
 TWO PLACE DECIMAL ±0.060  
 THREE PLACE DECIMAL ±0.030

	NAME	DATE	SHERMAN ROTO TANK, LLC		
DRAWN	TN	05/18/17	TITLE: 230 Gallons Vertical Tank		
CHECKED	DN	05/18/17			
ENG APPR.	TN	05/18/17	SIZE: <b>A</b>	DWG. NO. T000-74	REV: 0
MFG APPR.	WS	05/18/17	SCALE: 1:48	WEIGHT:	SHEET 2 OF 3
Q.A.	TN	05/18/17			



**PROPRIETARY AND CONFIDENTIAL**  
 THE INFORMATION CONTAINED IN THIS DRAWING IS THE SOLE PROPERTY OF SHERMAN ROTO TANK, LLC. ANY REPRODUCTION IN PART OR AS A WHOLE WITHOUT THE WRITTEN PERMISSION OF SHERMAN ROTO TANK, LLC IS PROHIBITED.

**UNLESS OTHERWISE SPECIFIED:**  
 DIMENSIONS ARE IN INCHES  
 TOLERANCES:  
 FRACTIONAL ±  
 ANGULAR: MACH ± BEND ±  
 TWO PLACE DECIMAL ±0.060  
 THREE PLACE DECIMAL ±0.030

	NAME	DATE	SHERMAN ROTO TANK, LLC		
DRAWN	TN	05/18/17	TITLE: 230 Gallons Vertical Tank		
CHECKED	DN	05/18/17			
ENG APPR.	TN	05/18/17	SIZE: A	DWG. NO. T000-74	REV: 0
MFG APPR.	WS	05/18/17	SCALE: 1:48	WEIGHT:	SHEET 3 OF 3
Q.A.	TN	05/18/17			